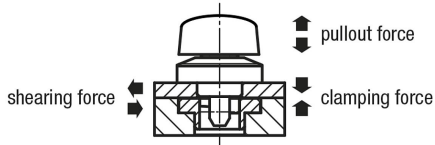


Quarter-turn clamp locks grip plastic or stainless steel

Item description/product images



Description

Material:

Housing steel.

Pin stainless steel.

Knob stainless steel or thermoplastic PA (polyamide).

Version:

Housing nickel-plated.

Pin bright.

Knob reinforced PA fibreglass, black.

Knob stainless steel, bright.

Note:

M2 or M3 mounting screws are supplied.

Form A mounting option for plate thickness 6 or 12 mm.

Form B mounting option for plate thickness 12 to 20 mm.

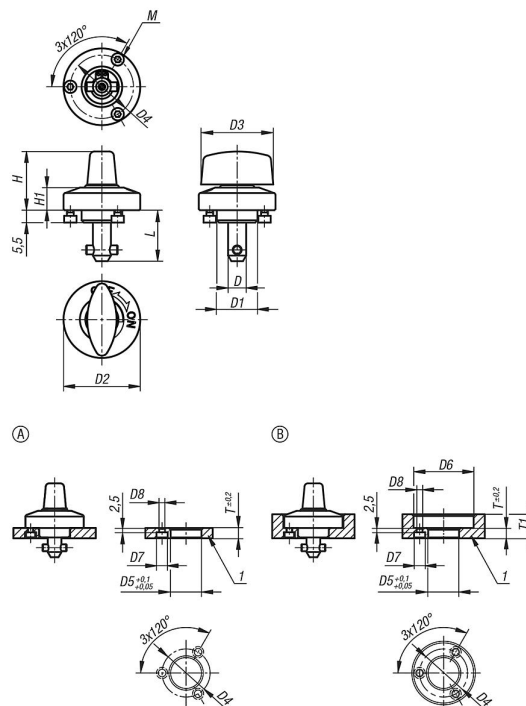
Accessory:

Clamping plates K1062

Drawing reference:

1) plate

Drawings



Overview of items

Quarter-turn clamp locks, grip plastic or stainless steel

Quarter-turn clamp locks grip plastic or stainless steel

Overview of items

| Order No. | Component material | D | D1 | D2 | D3 | D4 | H | H1 | L | M | D5 | D6 | D7 | D8 | T | T1 | Clamping force N | Shearing force kN | Pullout force kN | Temperature resistance up to |
|-------------------|--------------------|---|----|----|----|----|------|-----|------|------|----|----|-----|-----|----|-------|---------------------|----------------------|---------------------|------------------------------------|
| K1061.516 | Plastic | 5 | 14 | 25 | 20 | 21 | 19 | 6,5 | 15,5 | M2x3 | 14 | 26 | 4,4 | 2,4 | 6 | 6-10 | 60 | 1,8 | 1,2 | 130 °C |
| K1061.817 | Plastic | 8 | 18 | 34 | 32 | 28 | 26 | 10 | 17 | M3x4 | 18 | 35 | 6,5 | 3,4 | 6 | 6-14 | 90 | 3,2 | 2,6 | 130 °C |
| K1061.823 | Plastic | 8 | 18 | 34 | 32 | 28 | 26 | 10 | 23 | M3x4 | 18 | 35 | 6,5 | 3,4 | 12 | 12-20 | 90 | 3,2 | 2,6 | 130 °C |
| K1061.5161 | Stainless steel | 5 | 14 | 25 | 20 | 21 | 19 | 6,5 | 15,5 | M2x3 | 14 | 26 | 4,4 | 2,4 | 6 | 6-10 | 60 | 1,8 | 1,2 | 200 °C |
| K1061.8171 | Stainless steel | 8 | 18 | 34 | 32 | 28 | 25,5 | 10 | 17 | M3x4 | 18 | 35 | 6,5 | 3,4 | 6 | 6-14 | 90 | 3,2 | 2,6 | 200 °C |
| K1061.8231 | Stainless steel | 8 | 18 | 34 | 32 | 28 | 25,5 | 10 | 23 | M3x4 | 18 | 35 | 6,5 | 3,4 | 12 | 12-20 | 90 | 3,2 | 2,6 | 200 °C |