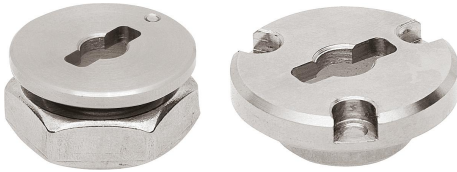


Clamping plates for quarter-turn clamp locks

Item description/product images



Description

Material:

Housing steel.

Nut stainless steel.

Version:

Housing nickel-plated.

Nut bright.

Note:

M2 or M3 mounting screws are supplied.

Form A mounting option for plate thickness 6 to 10 mm.

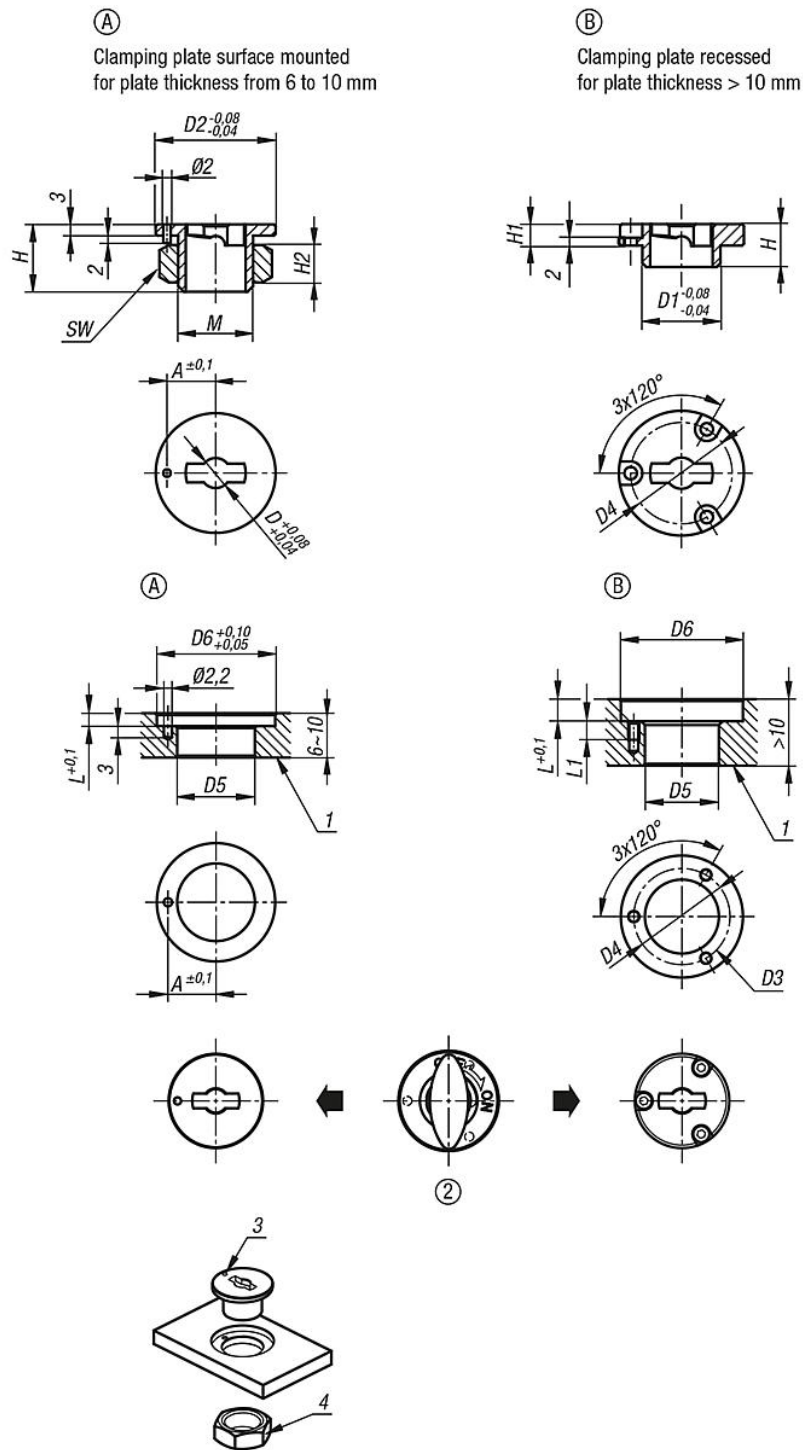
Form B mounting option for plate thickness over 10 mm.

Drawing reference:

- 1) plate
- 2) quarter-turn clamp lock
- 3) locating pin
- 4) nut

Clamping plates for quarter-turn clamp locks

Drawings



Overview of items

Clamping plates for quarter-turn clamp locks

Order No.	D	D1	D2	D4	A	M	H2	SW	H	H1	D3 for screw to DIN 912	D5	D6	L	L1
K1062.50	5	-	25	21	10,5	M14X1,5	8	22	16	4,5	-	15	25	3,5	-
K1062.80	8	-	32	26	13	M20X1,5	10	30	18	5,5	-	21	32	3,5	-
K1062.501	5	14	25	21	-	-	8	22	9	4,5	M2	14	26	5	4

Clamping plates for quarter-turn clamp locks

Overview of items

Order No.	D	D1	D2	D4	A	M	H2	SW	H	H1	D3 for screw to DIN 912	D5	D6	L	L1
K1062.801	8	20	32	26	-	-	10	30	11	5,5	M3	20	33	6	5