

Ball lock pins

Item description/product images



Description

Material:

Housing and push button steel.
Ball, spring and snap ring stainless steel.
O-ring FKM.

Version:

Housing nickel-plated.
Knob tempered and nickel-plated.
Ball tempered.

Note:

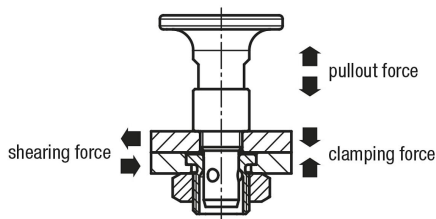
Installation dimensions for Form A for plate thickness 6 mm.
Installation dimensions for Form B for plate thickness 6 to 16 mm.

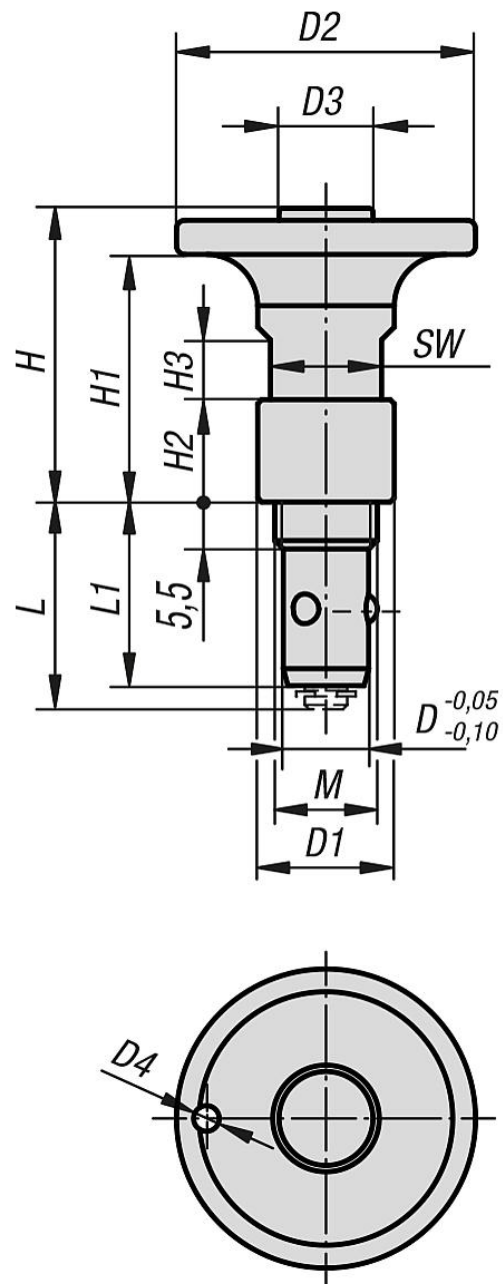
Attention:

The specified pullout forces only apply in conjunction with locating bush K1065.

Accessory:

Locating bush K1065.

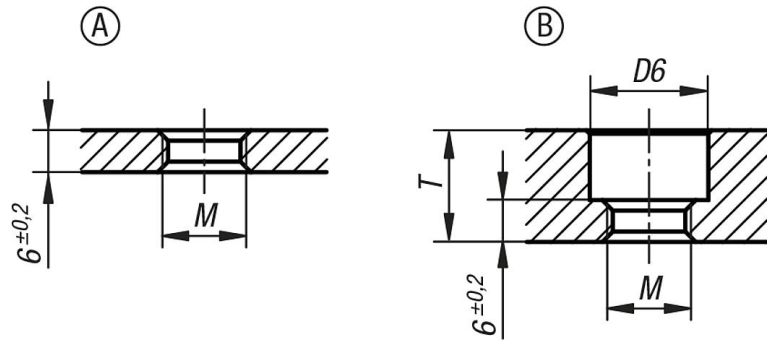




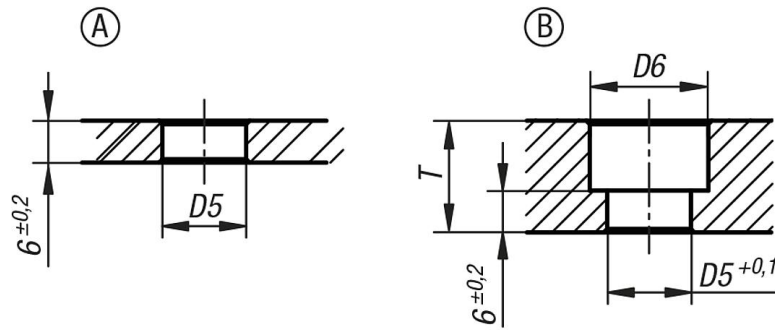
Ball lock pins

Drawings

Screw-in ball lock pin



Push-in ball lock pin



Overview of items

Ball lock pin

Order No.	D	D1	D2	D3	D4	M	L	L1	H	H1	H2	H3	SW	D5	D6	T	Clamping force N	Shearing force kN	Pullout force kN	Temperature resistance up to
K1063.621	6	12	25	8	-	M8	21	19	22,2	18	6	5,5	10	8	13	10	30	3	0,5	180 °C
K1063.1024	10	16	35	11	3	M12x1,5	23,5	21,5	34,4	29	12	7	13	12	17	16	50	9	1,5	180 °C