

Ball lock pins without head

Item description/product images



Description

Material:

Housing and push button steel.
Ball, spring and snap ring stainless steel.
O-ring FKM.

Version:

Housing nickel-plated.
Knob tempered and nickel-plated.
Ball tempered.

Note:

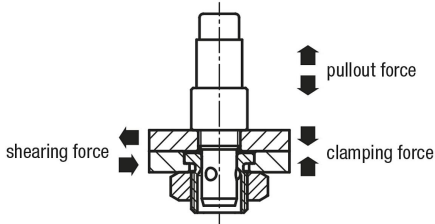
Installation dimensions for Form A for plate thickness 6 mm.
Installation dimensions for Form B for plate thickness 6 to 16 mm.

Attention:

The specified pullout forces only apply in conjunction with locating bush K1065.

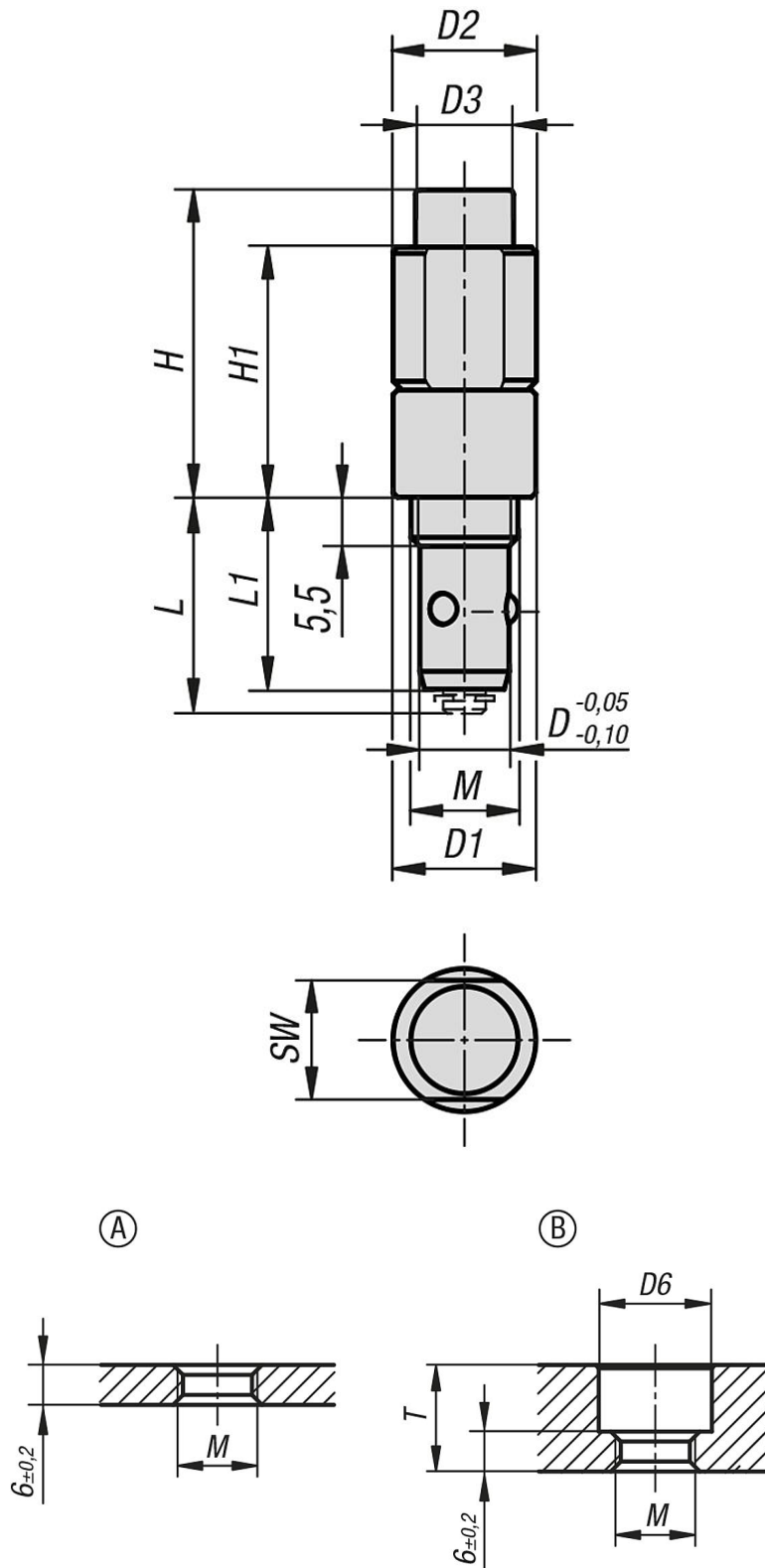
Accessory:

Locating bush K1065.



Ball lock pins without head

Drawings



Overview of items

Ball lock pin without head

Ball lock pins without head

Overview of items

Order No.	D	D1	D2	D3	M	L	L1	H	H1	SW	D6	T max.	Clamping force N	Shearing force kN	Pullout force kN	Temperature resistance up to
K1063.10242	10	16	16	11	M12x1,5	23,5	21,5	34,4	28	13	17	16	50	9	1,5	180 °C