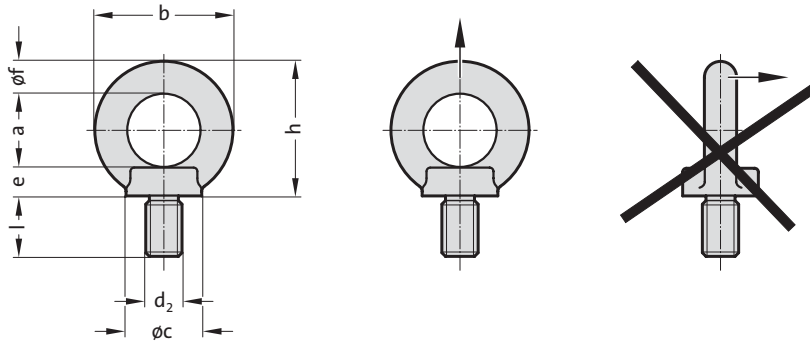


Lifting eye bolt, high tensile

2131.30.



Description:

Only tighten eyebolts hand-tight. Not suitable for diagonal pull. Avoid turning movements during transport.

Material:

Alloyed steel, hardened and tempered, quality class 8

Note:

Load capacity according to operating instructions or load capacity table in the specified directions of pull.

When selecting the arrangement, make sure that unequal loading does not occur, e.g. if:

- no free adjustment is possible in the direction of pull
- direction of pull does not lie in the specified range

Safety factory 4

2131.30. Lifting eye bolt, high tensile

Order No	Rated carrying capacity [t]	d_2	l	a	b	c	e	f	h
2131.30.006	0.4	M6	13	25	45	25	10	10	45
2131.30.008	0.8	M8	13	25	45	25	10	10	45
2131.30.010	1	M10	17	25	45	25	10	10	45
2131.30.012	1.6	M12	21	35	63	35	14	14	62
2131.30.014	3	M14	21	35	63	35	14	14	62
2131.30.016	4	M16	27	35	63	35	14	14	62
2131.30.020	6	M20	30	50	90	50	20	20	90
2131.30.024	8	M24	36	50	90	50	20	20	90
2131.30.030	12	M30	45	60	108	65	24	24	109
2131.30.036	16	M36	54	70	126	75	26	28	128
2131.30.042	24	M42	63	80	144	85	30	32	147
2131.30.048	32	M48	68	90	166	100	35	38	168

Max. carrying capacity "G" in tonnes for various types of attachment

Type of attachment										
Number of lines	1	1	2	2	2	2	3+4	3+4	2	3+4
Angle of inclination/ load direction	0°	90°	0°	90°	0-45°	45-60°	0-45°	45-60°	asymmetrical	asymmetrical
Order No	carrying capacity in tonnes									
2131.30.006	0.4	0.8								
2131.30.008	0.8	1.6								
2131.30.010	1	2								
2131.30.012	1.6	3.2								
2131.30.014	3	6								
2131.30.016	4	8								
2131.30.020	6	12								
2131.30.024	8	16								
2131.30.030	12	24								
2131.30.036	16	32								
2131.30.042	24	48								
2131.30.048	32	64								

Load the eyebolt in the pull direction only!
For these lifting types, use the turnable eyebolt 2131.31. or the turnable attachment point 2131.34