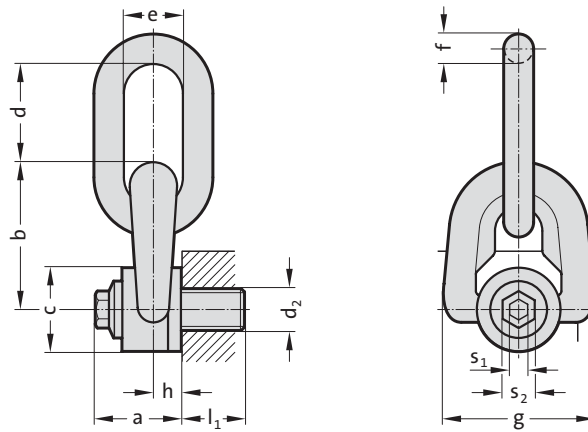


# Triple vortice ring



2131.35.



## Description:

The triple vortice rings with double bearing mount for smooth tipping, turning and flipping.  
 Also turnable 90° for screw-in direction under full load.  
 Not suitable for continuous turning movement under full load.  
 The optimised design prevents damage to lifting tackle and the valuable load when turning.  
 For ring assembly, round slings, wire ropes, hook assemblies, etc.

## Material:

High-strength chrome-nickel alloyed Q & T steel,  
 Screws: high-strength screws, min. strength category 10.9, 100 % crack inspected

## Note:

Ensure even screw-in surface, threads must be screwed in completely.

## 2131.35. Triple vortice ring

Order No	Rated carrying capacity [t]	d <sub>2</sub>	l <sub>1</sub>	s <sub>1</sub>	s <sub>2</sub>	a	b	c	d	e	f	g	h	Tightening torque [Nm]
2131.35.008	0.3	M8	14	8	16	33	56	30	41	25	10	58	5.5	6
2131.35.010	0.6	M10	17	8	16	33	56	30	41	25	10	58	9.5	10
2131.35.012	1	M12	21	8	16	33	56	30	41	25	10	58	9.5	15
2131.35.014	1.3	M14	23	8	20	45	76	45	56	37	14	79	13	30
2131.35.016	1.6	M16	27	8	20	45	76	45	56	37	14	79	13	50
2131.35.018	2	M18	27	8	20	45	76	45	56	37	14	79	13	70
2131.35.020	2.5	M20	30	8	20	45	81	45	56	37	14	79	13	100
2131.35.022	3	M22	33	14	24	62	105	60	80	45	20	106	19	120
2131.35.024	4	M24	36	14	24	62	105	60	80	45	20	106	19	160
2131.35.027	5	M27	36	14	24	62	105	60	80	45	20	106	19	160
2131.35.030	6.3	M30	45	14	24	62	105	60	80	45	20	106	19	250
2131.35.036	10	M36	54	19	30	81	140	80	111	71	30	148	26.5	320
2131.35.042	12.5	M42	63	19	30	84	146	80	111	71	30	148	26.5	400
2131.35.048	20	M48	68	19	30	100	178	110	135	90	42	180	33	600
2131.35.056	22	M56	78	19	30	104	184	110	135	90	42	190	33	600

## Max. carrying capacity “G” in tonnes for various types of attachment

Type of attachment, Arrangement of the suspension points									
Number of lines	1	1	2	2	2 symmetrical	4 symmetrical	2	3 and 4	
Angle of inclination/ load direction	0°	90°	0°	90°	0–45°	45–60°	0–45°	45–60°	
Order No	carrying capacity in tonnes								
2131.35.008	0.3	0.3	0.6	0.6	0.4	0.3	0.6	0.3	0.3
2131.35.010	0.6	0.6	1.2	1.2	0.8	0.6	1.3	0.6	0.6
2131.35.012	1	1	2	2	1.4	1	2.1	1	1
2131.35.014	1.3	1.3	2.6	2.6	1.8	1.3	2.7	1.3	1.3
2131.35.016	1.6	1.6	3.2	3.2	2.2	1.6	3.4	1.6	1.6
2131.35.018	2	2	4	4	2.8	2	4.2	2	2
2131.35.020	2.5	2.5	5	5	3.5	2.5	5.3	2.5	2.5
2131.35.022	3	3	6	6	4.2	3	6.3	3	3
2131.35.024	4	4	8	8	5.6	4	8.4	4	4
2131.35.027	5	5	10	10	7	5	10.5	5	5
2131.35.030	6.3	6.3	12.6	12.6	8.8	6.3	13.2	6.3	6.3
2131.35.036	10	10	20	20	14	10	21	10	10
2131.35.042	12.5	12.5	25	25	17.5	12.5	26.3	12.5	12.5
2131.35.048	20	20	40	40	28	20	42	20	20
2131.35.056	22	22	44	40	30.8	22	46.2	22	22