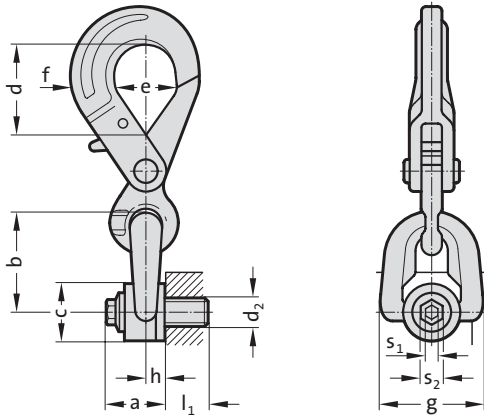


# Double vortice hook

2131.36.



## Description:

The double vortice rings with double bearing mount for smooth tipping, turning and flipping.  
 Also turnable 90° for screw-in direction under full load.  
 Not suitable for continuous turning movement under full load.  
 The optimised design prevents damage to lifting tackle and the valuable load when turning.  
 For ring assembly, round slings, wire ropes, hook assemblies, etc.

## Material:

High-strength chrome-nickel alloyed Q & T steel,  
 Screws: high-strength screws, min. strength category 10.9, 100 % crack inspected

## Note:

Ensure even screw-in surface, threads must be screwed in completely.

## 2131.36. Double vortice hook

Order No	Rated carrying capacity [t]	d <sub>2</sub>	l <sub>1</sub>	s <sub>1</sub>	s <sub>2</sub>	a	b	c	d	e	f	g	h	Tightening torque [Nm]
2131.36.008	0.3	M8	14	8	16	33	56	30	44	32	23	58	9.5	6
2131.36.010	0.6	M10	17	8	16	33	56	30	44	32	23	58	9.5	10
2131.36.012	1	M12	21	8	16	33	56	30	44	32	23	58	9.5	15
2131.36.014	1.3	M14	23	8	20	45	76	45	58	46	29	79	13	30
2131.36.016	1.6	M16	27	8	20	45	76	45	58	46	29	79	13	50
2131.36.018	2	M18	27	8	20	45	76	45	58	46	29	79	13	70
2131.36.020	2.5	M20	30	8	20	45	81	45	58	46	29	79	13	100

## Max. carrying capacity “G” in tonnes for various types of attachment

Type of attachment, Arrangement of the suspension points										
Number of lines	1	1	2	2	2 symmetrical	2 symmetrical	4 symmetrical	4 symmetrical	2	3 and 4
Angle of inclination/ load direction	0°	90°	0°	90°	0–45°	45–60°	0–45°	45–60°	asymmetrical	asymmetrical
Order No	carrying capacity in tonnes									
2131.36.008	0.3	0.3	0.6	0.6	0.4	0.3	0.6	0.3	0.3	0.3
2131.36.010	0.6	0.6	1.2	1.2	0.8	0.6	1.3	0.6	0.6	0.6
2131.36.012	1	1	2	2	1.4	1	2.1	1	1	1
2131.36.014	1.3	1.3	2.6	2.6	1.8	1.3	2.7	1.3	1.3	1.3
2131.36.016	1.6	1.6	3.2	3.2	2.2	1.6	3.4	1.6	1.6	1.6
2131.36.018	2	2	4	4	2.8	2	4.2	2	2	2
2131.36.020	2.5	2.5	5	5	3.5	2.5	5.3	2.5	2.5	2.5