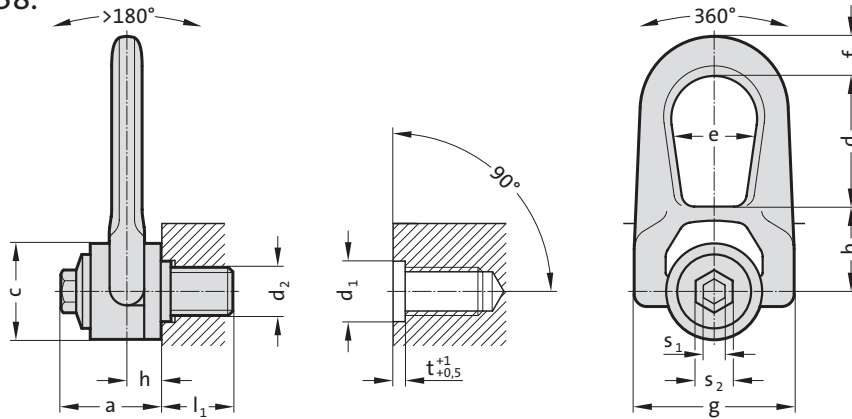


Double vortice ring with central device

2131.38.



Description:

The double vortex ring with centring device was especially designed to guarantee lifting under rotation. The centring device increases the resistance of the axis in case of lateral mounting.

Material:

High-strength chrome-nickel alloyed Q & T steel,
Screws: high-strength screws, min. strength category 10.9, 100 % crack inspected

Note:

Ensure even screw-in surface, threads must be screwed in completely. The threaded connection on the transport belt must be suitable for the force transmission. Each attachment point is provided with an individual serial number. Information about installation and removal, see operating instructions. Load capacity according to operating instructions or load capacity table in the specified directions of pull.

When selecting the arrangement, make sure that unequal loading does not occur, e.g. if:

- no free adjustment is possible in the direction of pull
 - direction of pull does not lie in the specified range
- Safety factor 5

2131.38. Double vortice ring with central device

Order No	Rated carrying capacity [t]	d ₂	l ₁	s ₁	s ₂	a	b	c	d	e	f	g	h	d ₁	Tolerance d ₁	t	Tightening torque [Nm]
2131.38.004	0.05	M4	15	3	16	33	30	30	38	27	14	53	9.5	16	+0,25/0	3	2
2131.38.005	0.075	M5	15	4	16	33	30	30	38	27	14	53	9.5	16	+0,25/0	3	3
2131.38.006	0.1	M6	15	5	16	33	30	30	38	27	14	53	9.5	16	+0,25/0	3	4
2131.38.008	0.5	M8	14	8	16	33	30	30	38	27	14	53	9.5	16	+0,25/0	3	6
2131.38.010	0.8	M10	17	8	16	33	30	30	38	27	14	53	9.5	20	+0,25/0	3	10
2131.38.012	1.2	M12	21	8	16	33	30	30	38	27	14	53	9.5	20	+0,25/0	3	15
2131.38.014	1.3	M14	23	8	20	45	42	45	54	38	17	76	13	20	+0,30/0	3	30
2131.38.016	2	M16	27	8	20	45	42	45	54	38	17	76	13	20	+0,30/0	3	50
2131.38.018	2	M18	27	8	20	45	42	45	54	38	17	76	13	30	+0,30/0	3	70
2131.38.020	2.7	M20	30	8	20	45	42	45	54	38	17	76	13	30	+0,30/0	3	100
2131.38.022	3	M22	33	14	24	62	55	60	83	55	25	117	19	30	+0,30/0	4	120
2131.38.024	5	M24	36	14	24	62	55	60	83	55	25	117	19	30	+0,30/0	4	160
2131.38.027	5	M27	40	14	24	62	55	60	83	55	25	117	19	36	+0,30/0	4	200
2131.38.030	6.3	M30	45	14	24	62	55	60	83	55	25	117	19	36	+0,30/0	4	250

Max. carrying capacity "G" in tonnes for various types of attachment

Type of attachment, Arrangement of the suspension points										
Number of lines	1	1	2	2	2 symmetrical	2 symmetrical	3+4 symmetrical	3+4 symmetrical	2 asymmetrical	3 and 4 asymmetrical
Angle of inclination/ load direction	0°	90°	0°	90°	0-45°	45-60°	0-45°	45-60°	asymmetrical	asymmetrical
Order No	carrying capacity in tonnes									
2131.38.004	0.05	0.05	0.1	0.1	0.07	0.05	0.1	0.05	0.05	0.05
2131.38.005	0.075	0.075	0.15	0.15	0.1	0.075	0.15	0.075	0.075	0.075
2131.38.006	0.1	0.1	0.2	0.2	0.14	0.1	0.21	0.1	0.1	0.1
2131.38.008	0.5	0.5	1	1	0.7	0.5	1.05	0.5	0.5	0.5
2131.38.010	0.8	0.8	1.6	1.6	1.12	0.8	1.68	0.8	0.8	0.8
2131.38.012	1.2	1.2	2.4	1.68	1.2	1.2	2.52	1.2	1.2	1.2
2131.38.014	1.3	1.3	2.6	2.6	1.82	1.3	2.73	1.3	1.3	1.3
2131.38.016	2	2	4	4	2.8	2	4.2	2	2	2
2131.38.018	2	2	4	4	2.8	2	4.2	2	2	2
2131.38.020	2.7	2.7	5.4	5.4	3.78	2.7	5.67	2.7	2.7	2.7
2131.38.022	3	3	6	6	4.2	3	6.3	3	3	3
2131.38.024	5	5	10	10	7	5	10.5	5	5	5
2131.38.027	5	5	10	10	7	5	10.5	5	5	5
2131.38.030	6.3	6.3	12.6	12.6	8.82	6.3	13.23	6.3	6.3	6.3