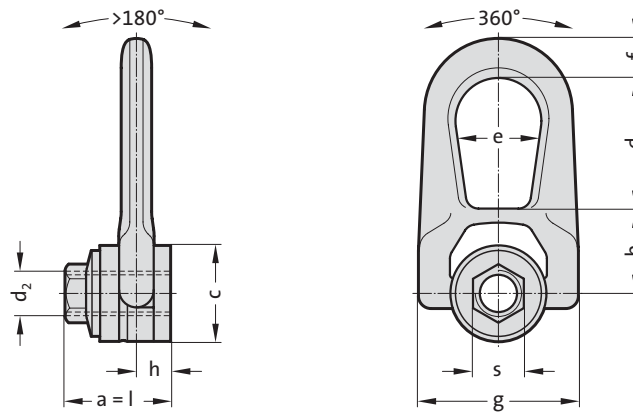


Double vortice ring with internal thread



2131.39.



Description:

The double vortex ring with internal thread was especially designed to guarantee lifting under rotation. Its double joint permits a perfect alignment for load suspension.

Material:

High-strength chrome-nickel alloyed Q & T steel

Note:

Ensure even screw-in surface, threads must be screwed in completely. The threaded connection on the transport belt must be suitable for the force transmission.

Each attachment point is provided with an individual serial number
Information about installation and removal, see operating instructions.
Load capacity according to operating instructions or load capacity table in the specified directions of pull.

When selecting the arrangement, make sure that unequal loading does not occur, e.g. if:
- no free adjustment is possible in the direction of pull
- direction of pull does not lie in the specified range
Safety factor 5

2131.39. Double vortice ring with internal thread

Order No	Rated carrying capacity [t]	d ₂	l	s	a	b	c	d	e	f	g	h	Tightening torque [Nm]
2131.39.008	0.3	M8	45	20	45	42	45	54	38	17	76	13	6
2131.39.010	0.6	M10	45	20	45	42	45	54	38	17	76	13	10
2131.39.012	1	M12	45	20	45	42	45	54	38	17	76	13	15
2131.39.014	1	M14	45	20	45	42	45	54	38	17	76	13	30
2131.39.016	1.6	M16	45	20	45	42	45	54	38	17	76	19	50
2131.39.018	2	M18	62	24	62	55	60	83	55	25	117	19	70
2131.39.020	2.5	M20	62	24	62	55	60	83	55	25	117	19	100
2131.39.022	3	M22	62	24	62	55	60	83	55	25	117	19	120

Max. carrying capacity “G” in tonnes for various types of attachment

Type of attachment, Arrangement of the suspension points										
Number of lines	1	1	2	2	2 symmetrical	2 symmetrical	3+4 symmetrical	3+4 symmetrical	2 asymmetrical	3 and 4 asymmetrical
Angle of inclination/ load direction	0°	90°	0°	90°	0–45°	45–60°	0–45°	45–60°	asymmetrical	asymmetrical
Order No	carrying capacity in tonnes									
2131.39.008	0.3	0.3	0.6	0.6	0.4	0.3	0.6	0.3	0.3	0.3
2131.39.010	0.6	0.6	1.2	1.2	0.8	0.6	1.3	0.6	0.6	0.6
2131.39.012	1	1	2	2	1.4	1	2.1	1	1	1
2131.39.014	1.3	1.3	2.6	2.6	1.8	1.3	2.7	1.3	1.3	1.3
2131.39.016	1.6	1.6	3.2	3.2	2.2	1.6	3.4	1.6	1.6	1.6
2131.39.018	2	2	4	4	2.8	2	4.2	2	2	2
2131.39.020	2.5	2.5	5	5	3.5	2.5	5.3	2.5	2.5	2.5
2131.39.022	3	3	6	6	4.2	3	6.3	3	3	3