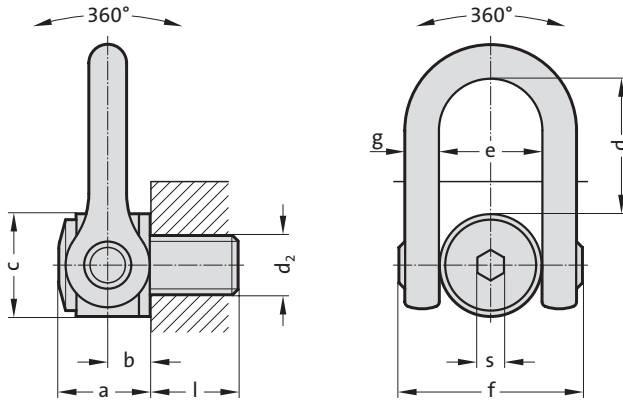


Double vortex ring screw

2131.40.



Description:

The double vortex ring screw was especially designed for the lifting and rotating of heavy loads.

Load bearing capacity in all directions and perfect alignment for load suspension.

Material:

High-strength chrome-nickel alloyed Q & T steel,

Screws: high-strength screws, min. strength category 10.9, 100 % crack inspected

Note:

Ensure even screw-in surface, threads must be screwed in completely.

The threaded connection on the transport belt must be suitable for the force transmission.

Each attachment point is provided with an individual serial number
Information about installation and removal, see operating instructions.
Load capacity according to operating instructions or load capacity table in the specified directions of pull.

When selecting the arrangement, make sure that unequal loading does not occur, e.g. if:

- no free adjustment is possible in the direction of pull
- direction of pull does not lie in the specified range

Safety factor 5 - 2131.40.024 through 2131.40.042

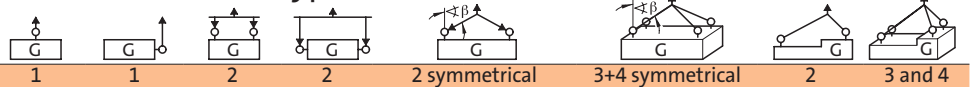
Safety factor 4 - 2131.40.045 through 2131.40.100

2431.40. Double vortex ring screw

Order No	Rated carrying capacity [t]	d ₂	l	s	a	b	c	d	e	f	g	Tightening torque [Nm]
2131.40.024	4.5	M24	36	19	61	31	70	104	73	145	29	160
2131.40.030	7.3	M30	45	19	61	31	70	104	73	145	29	250
2131.40.033	8	M33	50	19	61	31	70	104	73	145	29	250
2131.40.036	10	M36	54	19	61	31	70	104	73	145	29	320
2131.40.039	10	M39	58	19	61	31	70	104	73	145	29	320
2131.40.042	12.5	M42	63	19	61	31	70	104	73	145	29	400
2131.40.045	15	M45	63	19	61	31	70	104	73	145	29	400
2131.40.048	20	M48	68	19	79	38	90	125	91	184	36	600
2131.40.052	20	M52	68	19	79	38	90	125	91	184	36	600
2131.40.056	25	M56	78	19	79	38	90	125	91	184	36	600
2131.40.064	32.1	M64	90	19	79	38	95	125	91	184	36	600
2131.40.072	25	M72	90	19	79	38	95	125	91	184	36	600
2131.40.080	32.1	M80	90	19	79	38	95	125	91	184	36	600
2131.40.090	32.1	M90	90	19	79	38	95	125	91	184	36	600
2131.40.100	32.1	M100	90	19	79	38	95	125	91	184	36	600

Max. carrying capacity "G" in tonnes for various types of attachment

Type of attachment, Arrangement of the suspension points
Number of lines



Order No	carrying capacity in tonnes									
2131.40.024	4.5	4.5	9	9	6.3	4.5	9.5	4.5	4.5	4.5
2131.40.030	7.3	7.3	14.6	14.6	10.2	7.3	15.3	7.3	7.3	4.5
2131.40.033	8	8	16	16	11.2	8	16.8	8	8	8
2131.40.036	10	10	20	20	14	10	21	10	10	10
2131.40.039	10	10	20	20	14	10	21	10	10	10
2131.40.042	12.5	12.5	25	25	17.5	12.5	26.3	12.5	12.5	12.5
2131.40.045	15	15	30	30	21	15	31.5	15	15	15
2131.40.048	20	20	40	40	28	20	42	20	20	20
2131.40.052	20	20	40	40	28	20	42	20	20	20
2131.40.056	25	25	50	50	35	25	52.5	25	25	25
2131.40.064	32.1	32.1	64.2	64.2	44.9	32.1	67.4	32.1	32.1	32.1
2131.40.072	25	25	50	50	35	25	52.5	25	25	32.1
2131.40.080	32.1	32.1	64.2	64.2	44.9	32.1	67.4	32.1	32.1	32.1
2131.40.090	32.1	32.1	64.2	64.2	44.9	32.1	67.4	32.1	32.1	32.1
2131.40.100	32.1	32.1	64.2	64.2	44.9	32.1	67.4	32.1	32.1	32.1