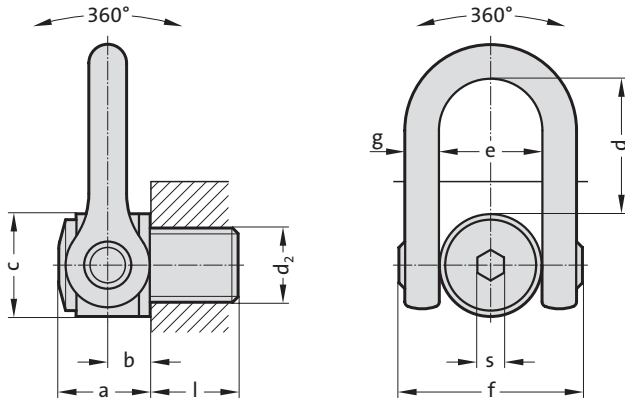


Double vortex ring screw Mega DSS

2131.42.



Description:

The Mega double vortex ring screw was specially designed to lift and rotate under a load of up to 50 tons. It can be used directly with the lifting equipment (hook of the travelling crane). Load bearing capacity in all directions and perfect alignment for load suspension.

Material:

High-strength chrome-nickel alloyed Q & T steel,
Screws: high-strength screws, min. strength category 10.9, 100 % crack inspected

Note:

Ensure even screw-in surface, threads must be screwed in completely. The threaded connection on the transport belt must be suitable for the force transmission. Each attachment point is provided with an individual serial number. Information about installation and removal, see operating instructions. Load capacity according to operating instructions or load capacity table in the specified directions of pull.

When selecting the arrangement, make sure that unequal loading does not occur, e.g. if:
- no free adjustment is possible in the direction of pull
- direction of pull does not lie in the specified range
Safety factor 4

2131.42. Double vortex ring screw Mega DSS

| Order No | Rated carrying capacity [t] | d ₂ | l | s | a | b | c | d | e | f | g | Tightening torque [Nm] |
|-------------|-----------------------------|----------------|-----|----|-------|------|-----|-----|-----|-----|------|------------------------|
| 2131.42.064 | 33 | M64 | 100 | 36 | 127.5 | 64.5 | 158 | 186 | 143 | 278 | 57.5 | 600 |
| 2131.42.072 | 35 | M72 | 110 | 36 | 127.5 | 64.5 | 158 | 186 | 143 | 278 | 57.5 | 700 |
| 2131.42.080 | 40 | M80 | 120 | 36 | 127.5 | 64.5 | 158 | 186 | 143 | 278 | 57.5 | 800 |
| 2131.42.090 | 45 | M90 | 135 | 36 | 127.5 | 64.5 | 158 | 186 | 143 | 278 | 57.5 | 900 |
| 2131.42.100 | 50 | M100 | 150 | 36 | 127.5 | 64.5 | 158 | 186 | 143 | 278 | 57.5 | 1000 |

Max. carrying capacity “G” in tonnes for various types of attachment

| Type of attachment, Arrangement of the suspension points | | | | | | | | | | |
|--|-----------------------------|-----|-----|-----|---------------|---------------|-----------------|-----------------|----------------|----------------------|
| Number of lines | 1 | 1 | 2 | 2 | 2 symmetrical | 2 symmetrical | 3+4 symmetrical | 3+4 symmetrical | 2 asymmetrical | 3 and 4 asymmetrical |
| Angle of inclination/ load direction | 0° | 90° | 0° | 90° | 0–45° | 45–60° | 0–45° | 45–60° | asymmetrical | asymmetrical |
| Order No | carrying capacity in tonnes | | | | | | | | | |
| 2131.42.064 | 33 | 33 | 66 | 66 | 46 | 33 | 69 | 33 | 33 | 33 |
| 2131.42.072 | 35 | 35 | 70 | 70 | 49 | 35 | 74 | 35 | 35 | 35 |
| 2131.42.080 | 40 | 40 | 80 | 80 | 56 | 40 | 84 | 40 | 40 | 40 |
| 2131.42.090 | 45 | 45 | 90 | 90 | 63 | 45 | 95 | 45 | 45 | 45 |
| 2131.42.100 | 50 | 50 | 100 | 100 | 70 | 50 | 105 | 50 | 50 | 50 |